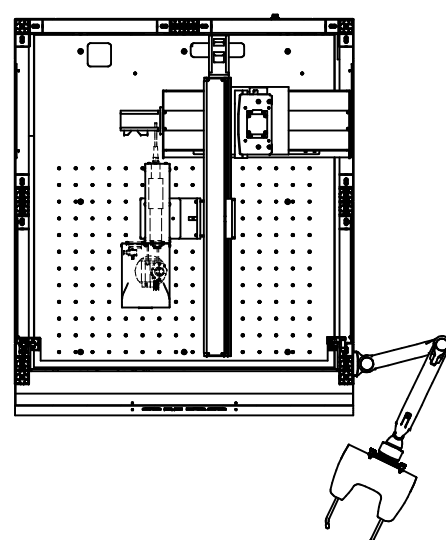
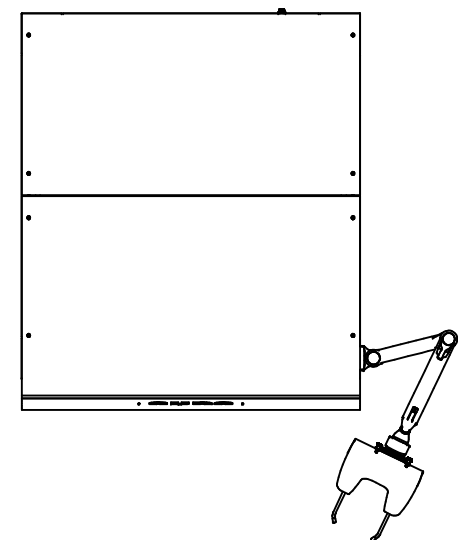


SEZIONE B-B
X AXIS STROKE 500mm



MOD. N.	SCALA 1:15										
TOLL.GENER.LAVOR			TOLLER. PARTI FUSE								
< 18	18-70	70 >	FORI	ANGOLI ± 2°	SPessori 10%	ESP.	DATA	MODIFICHE		VAR. N.	
±0,1	±0,2	±0,3	H11	SPessori < 10 ± 1 mm							
MATER.			Q.TA' 1						Drawing by: alberto		Simulare spigoli r10
Automator Marking Systems s.r.l. Via Meucci 8 - CORSICO (MI) 20094 - Italy Tel. +39(02)48601445 FAX +39(02)48601503 www.automator.com			TRATT. TERM. --						Checked by: A. Montagnana		+0,5 -0,5
<small>THIS DRAWING IS OUR PROPERTY AND MUST NOT BE SHOWN TO THIRD PERSON UNLESS IN ITS ORIGINAL FORM AUTOMATOR MARKING SYSTEMS RESERVES THE RIGHT TO MAKE CHANGES WITHOUT NOTICE</small>			DENOM. LAYOUT CON CORSE ASSI						Approved by: A. Montagnana		DATA 31/01/2023
			AURA						Formato A2		
									COD. N° 00.000.0000		
									DIS. N° 80101000180		
									Peso 0		Foglio: 1 di: 1